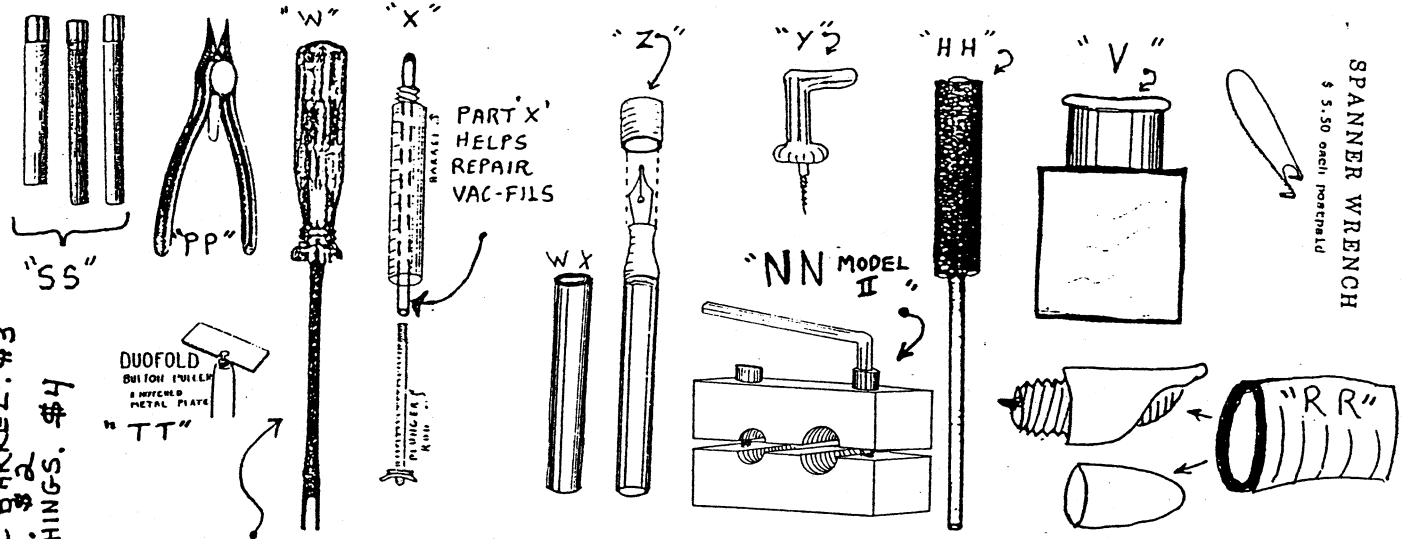


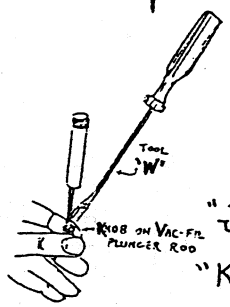
SPANNER WRENCH  
\$ 5.50 each postpaid



NOT PICTURED  
PART "VV" IRON ROD TO KNOCK "FILLER UNIT" FROM VACUMATIC BARREL. \$3  
PART "XX" PELLET PUSHER HELPS INSTALL NEW DIAPHRAGM. \$2  
PART "YY" 2 IN 1 SCREW DRIVER FOR PARKER JEWEL BUSHINGS. \$4

DUOFOLD  
BUTTON PULLER  
& NOTCHED  
METAL PLATE  
"TT"

PART "W" GETS THOSE VAC-FIL PLUNGER KNOBS OFF. HERE IT'S SHOWN IN USE.



"Z" IS A KIT OF SEVEN 1/2 INCH LENGTHS OF VARIOUS DIAMETERS OF RUBBER HOSE. \$1.00 + SASE

"HH" IS A TOOL TO SCRAPE SAC REMAINS FROM SAC PROTECTOR TUBES. \$1.00 + SASE.

"QQ" MY 8 1/2 X 1 1/2 INCH 12 PAGE BOOKLET ON SHEAFFER REPAIR. \$2.00 POSTPAID. SECRETS REVEALED!!

"RR" HOW DO YOU GRIP A TRIUMPH NIB, A "51" HOOD, ETC. TO UNSCREW IT? USE "RR", A 2 INCH LENGTH OF GUM RUBBER TUBING. AMBER LATEX. 50¢

"G" SERIES NOZAK WASHERS. SEND FOR CHART & INFO.

"JJ" SILICONE GREASE - ABOUT 1/8 GRAMS - \$2.00 POSTPAID.

"KK" BREATHER TUBE - .075" O.D. STYRENE \$1.00/FT. + S.A.S.E.

"LL" MY SOLUTION TO THE ONOTO STANDARD LEATHER CUP PLUNGER GASKET PROBLEM - 50¢

"MM" SANDPAPER #1500 GRADE 3M MICROFINE - 5 1/2" X 4 1/2" SHEET 50¢ + S.A.S.E  
"MMM" → #2000 GRADE 3M - SAME AS ABOVE.

"NN MODEL II" FOR STANDARD AND OVERSIZE AND MAXIMA VACUMATIC PENS. THE VACUMATIC TOOL OF ALUMINUM, HEX WRENCH INCLUDED. \$38 POST PAID

"P" A KIT OF THINGS NEEDED TO INSTALL PARTS "E2", "F2", & "N2" WITH INSTRUCTION SHEET FOR THE USE OF THIS EXCLUSIVE SYSTEM - \$1.00 + S.A.S.E.

"SW" UGLY SPANNER WRENCHES. UGLY BECAUSE I GRIND THEM FROM STAINLESS STEEL FORKS AND SPOONS. BUT THEY WORK! FOR: MONT BLANC 149 NIB, MONT BLANC 149 FILLER, WATERMAN INK-VUE, \$5.50 EACH POST PAID.

"OO" RUBBERIZED NON-SLIP MATERIAL - A 6" X 6" SQUARE - USE IT TO GET A TIGHT HANDGRIP. 50¢ + S.A.S.E.

"PP" NON-METALIC PLIERS (OF NYLON & GLASS FIBERS) FOR NIB REPAIR. \$1.20 POSTPAID

"TT" - DUOFOLD BUTTON PULLER, A NOTCHED METAL PLATE, \$3.00 P.P.

"SS" - "O" RING INSTALLATION AIDS, THREE TOOLS IN SET. \$5.00 POSTPAID

"WX" - STAINLESS STEEL HOLLOW PUNCH FOR USE WITH "KNOCK-OUT BLOCK" \$3.00 P.P.

PEN PARTS & TOOLS

PEN REPAIR PARTS AND TOOLS FROM

Rather than ordering from this sheet, it would be better if you send for my free information package which describes each item in greater detail.

TERRY KOCH  
P.O. Box 128  
Los Altos, CA 94023



RUBBER WASHERS

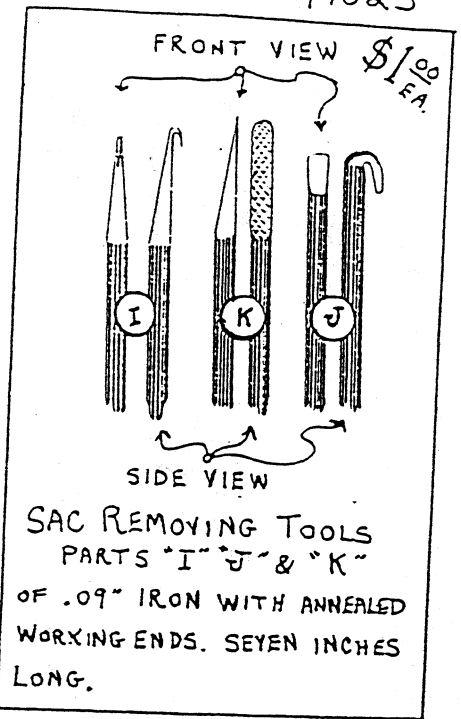
'A' & 'B' ARE 'O' RINGS FOR SHEAFFER "TOUCHDOWN" FILLERS  
'C' & 'D' ARE "POINT HOLDER" GASKETS FOR SHEAFFER "SNORKELS"  
'C2' & 'D2' ARE ANOTHER APPROACH TO CURING "SNORKELS".  
'E', 'F', & 'N' ARE PLUNGER WASHERS FOR SHEAFFER "VACUUM-FILS"  
'G' SERIES; THERE ARE EIGHT SIZES FOR NOZAKS  
'E2', 'F2', & 'N2' ATTEMPT TO CURE LEAKY "PACKING UNITS" ALSO AVAILABLE; FOUR WASHERS FOR EVERSHARP DORIC PLUNGER PENS: "X" SERIES.

50¢ EA.

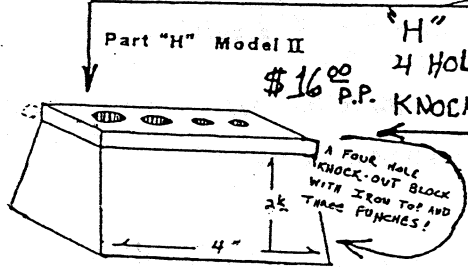
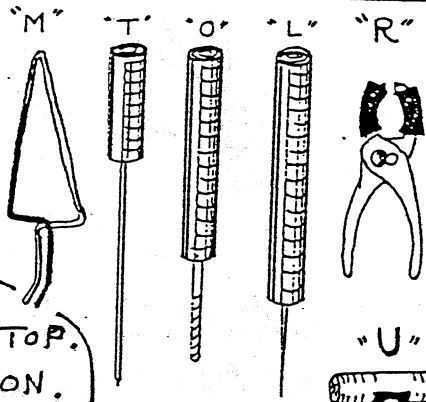


CONFUSING? YES!  
MY FREE INFORMATION PACKAGE MAY HELP.

ORDERING THESE PARTS FROM TERRY SURE BETS TRYING TO MAKE THE LITTLE BUGGERS YOURSELF! !!  
BOB TEFFT IN SPRING '88  
"PEN WORLD"



SAC REMOVING TOOLS PARTS "I" "J" & "K" OF .09" IRON WITH ANNEALED WORKING ENDS. SEVEN INCHES LONG.

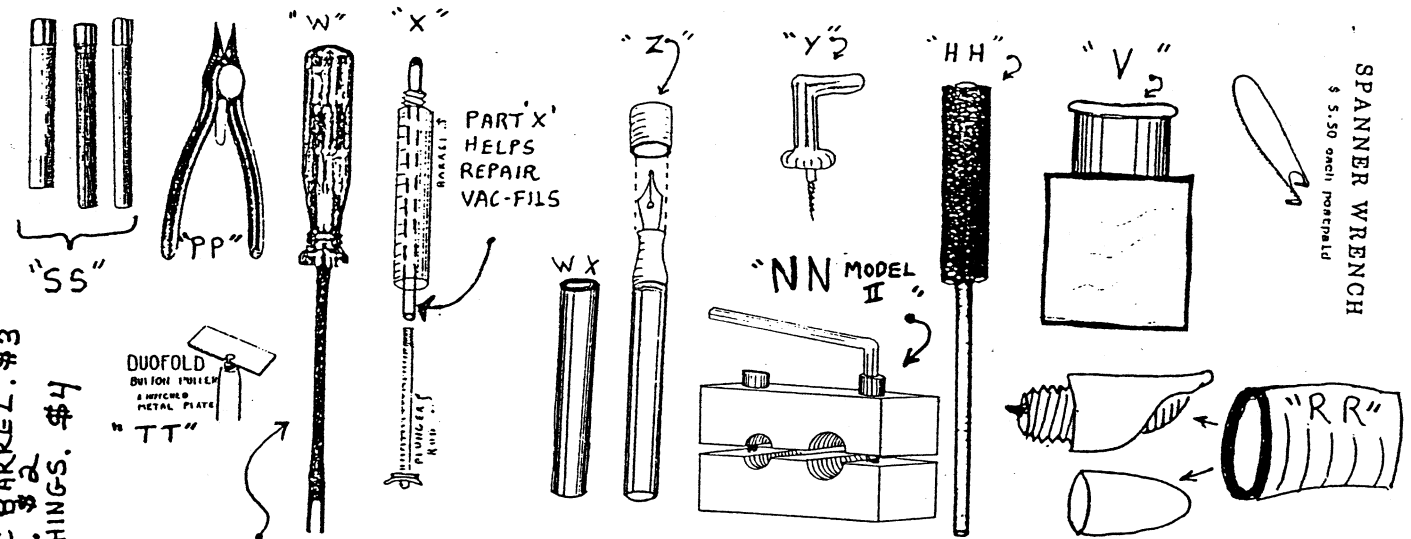


"H" "KNOCK OUT BLOCK" 4 HOLES, 3 PUNCHES, IRON TOP. \$16.00 P.P. KNOCK NIB & FEED FROM SECTION.

"L" NEEDLE, \$1.00  
"M" PARKER STYLE SAC SPREADER. \$2.00 + SASE.  
"O" .046" DRILL FOR "FAT" LEAD PENCILS LIKE DUOFOLDS. CLEARS 'EM OUT. \$1.00 + SASE.

- "Q" A 5 INCH LENGTH OF VERY FINE STEEL WIRE FOR CLEARING OUT VERY FINE HOLES AND CHANNELS. 50¢ + SASE.
- "R" PADDED 6 INCH SLIP JOINT PLIERS \$12.00 P.P. JAW'S TEETH HAVE BEEN REMOVED
- "S" JUST THE EXACT SCREW DRIVER NEEDED TO INSTALL PARTS 'A' & 'B'. \$2.50 PP
- "T" .036" REAMER (HARD STEEL) FOR 'THIN' LEAD PENCILS. \$2.00 + SASE
- "U" T-SHAPED AID FOR UNSCREWING PARKER JEWELS. \$3.00 P.P.
- "V" IS 15 C.C. OF SHELLAC IN AN AIRTIGHT, EASILY OPENED VIAL WITH A TIP-PROOF REDWOOD BASE. \$4.00 POST PAID. USE SHELLAC WITH EASE!!
- "W" SHEAFFER VAC-FIL PLUNGER KNOB (SPANNER) TOOL. SEE OVER. \$3.50 P.P.
- "X" HELPS TO REINSERT THE VAC-FIL PLUNGER ROD. \$3.00 Post Paid
- "Y" HELPS TO PULL THE "BUSHING" FROM THE SNORKELS "SAC PROTECTOR TUBE". MODELED AFTER A SHEAFFER "AUTHORIZED REPAIR" TOOL OF YESTERYEAR! 50¢ + S.A.S.E.

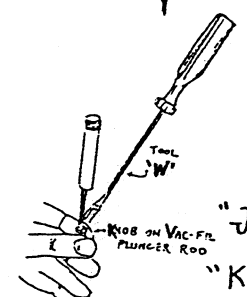
SPANNER WRENCH  
\$ 5.50 each Postpaid



NOT PICTURED  
PART "VV" IRON ROD TO KNOCK "FILLER UNIT" FROM VACUMATIC BARREL. \$3  
PART "XX" PELLET PUSHER HELPS INSTALL NEW DIAPHRAGM. \$2  
PART "YY" 2 IN 1 SCREW DRIVER FOR PARKER JEWEL BUSHINGS. \$4

DUOFOLD  
BUTTON PULLER  
A NOTCHED  
METAL PLATE  
"TT"

PART 'W' GETS THOSE VAC-FIL PLUNGER KNORS OFF. HERE IT'S SHOWN IN USE.



"Z" IS A KIT OF SEVEN 1/2 INCH LENGTHS OF VARIOUS DIAMETERS OF RUBBER HOSE. \$1.00 + SASE

"HH" IS A TOOL TO SCRAPE SAC REMAINS FROM SAC PROTECTOR TUBES. \$1.00 + SASE.

"QQ" MY 8 1/2 X 11 INCH 12 PAGE BOOKLET ON SHEAFFER REPAIR. \$2.00 POSTPAID. SECRETS REVEALED!!

"RR" HOW DO YOU GRIP A TRIUMPH NIB, A "51" HOOD, ETC. TO UNSCREW IT? USE "RR", A 2 INCH LENGTH OF GUM RUBBER TUBING. AMBER LATEX. 50¢

"G" SERIES NOZAK WASHERS. SEND FOR CHART & INFO.

"JJ" SILICONE GREASE - ABOUT 1/8 GRAMS - \$2.00 POSTPAID.

"KK" BREATHER TUBE - .075" O.D. STYRENE \$1.00/FT. + S.A.S.E.

"LL" MY SOLUTION TO THE ONOTO STANDARD LEATHER CUP PLUNGER GASKET PROBLEM - 50¢

"MM" SANDPAPER #1500 GRADE 3M MICROFINE - 5 1/2" X 4 1/2" SHEET 50¢ + S.A.S.E  
"MMM" → #2000 GRADE 3M - SAME AS ABOVE.

"NN MODEL II" FOR STANDARD AND OVERSIZE AND MAXIMA VACUMATIC PENS.  
THE VACUMATIC TOOL OF ALUMINUM. HEX WRENCH INCLUDED. \$38 POST PAID

"P" A KIT OF THINGS NEEDED TO INSTALL PARTS "E2", "F2", & "N2" WITH INSTRUCTION SHEET FOR THE USE OF THIS EXCLUSIVE SYSTEM - \$1.00 + S.A.S.E.

"SW" UGLY SPANNER WRENCHES. UGLY BECAUSE I GRIND THEM FROM STAINLESS STEEL FORKS AND SPOONS. BUT THEY WORK! FOR: MONT BLANC 149 NIB, MONT BLANC 149 FILLER, WATERMAN INK-VUE, \$5.50 EACH POST PAID.

"OO" RUBBERIZED NON-SLIP MATERIAL - A 6" X 6" SQUARE - USE IT TO GET A TIGHT HANDGRIP. 50¢ + S.A.S.E.

"PP" NON-METALIC PLIERS (OF NYLON & GLASS FIBERS) FOR NIB REPAIR. \$1.20 POSTPAID

"TT" - DUOFOLD BUTTON PULLER, A NOTCHED METAL PLATE, \$3.00 P.P.

"SS" - "O" RING INSTALLATION AIDS, THREE TOOLS IN SET. \$5.00 POSTPAID

"WX" - STAINLESS STEEL HOLLOW PUNCH FOR USE WITH "KNOCK-OUT BLOCK" \$3.00 P.P.

PEN PARTS & TOOLS

# PEN REPAIR PARTS AND TOOLS FROM

Rather than ordering from this sheet, it would be better if you send for my free information package which describes each item in greater detail.

TERRY KOCH  
P.O. BOX 128  
LOS ALTOS, CA 94023



## RUBBER WASHERS

'A' & 'B' ARE 'O' RINGS FOR SHEAFFER "TOUCHDOWN" FILLERS

"C" & "D" ARE "POINT HOLDER" GASKETS FOR SHEAFFER "SNORKELS"

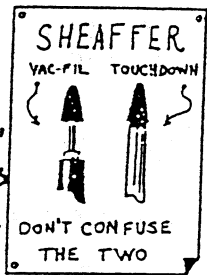
"C2" & "D2" ARE ANOTHER APPROACH TO CURING "SNORKELS".

"E", "F", & "N" ARE PLUNGER WASHERS FOR SHEAFFER "VACUUM-FILS"

"G" SERIES; THERE ARE EIGHT SIZES FOR NOZAKS

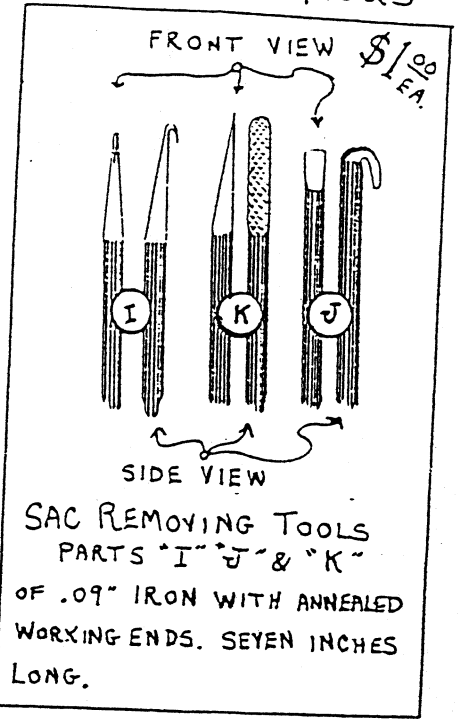
"E2", "F2", & "N2" ATTEMPT TO CURE LEAKY "PACKING UNITS" ALSO AVAILABLE; FOUR WASHERS FOR EVERSHARP DORIC PLUNGER PENS: "X" SERIES.

50¢ EA.

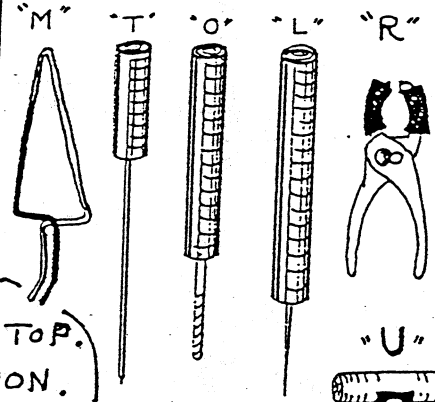


ORDERING THESE PARTS FROM TERRY SURE BEATS TRYING TO MAKE THE LITTLE BUGGERS YOURSELF! BOB TEFFT IN SPRING '88 "PEN WORLD"

CONFUSING? YES! MY FREE INFORMATION PACKAGE MAY HELP.



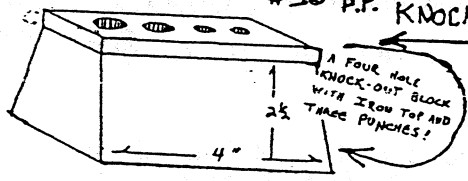
SAC REMOVING TOOLS PARTS "I" "J" & "K" OF .09" IRON WITH ANNEALED WORKING ENDS. SEVEN INCHES LONG.



Part "H" Model II

"H" "KNOCK OUT BLOCK" 4 HOLES, 3 PUNCHES, IRON TOP. KNOCK NIB & FEED FROM SECTION.

\$16.00 P.P.

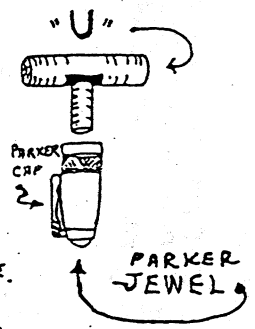


A FOUR HOLE KNOCK-OUT BLOCK WITH IRON TOP AND THREE PUNCHES!

"L" NEEDLE, \$1.00

"M" PARKER STYLE SAC SPREADER. \$2.00 + SASE.

"O" .046" DRILL FOR "FAT" LEAD PENCILS LIKE DUOFOLDS. CLEARS 'EM OUT. \$1.00 + SASE.



"Q" A 5 INCH LENGTH OF VERY FINE STEEL WIRE FOR CLEARING OUT VERY FINE HOLES AND CHANNELS. 50¢ + SASE.

"R" PADDED 6 INCH SLIP JOINT PLIERS \$12.00 P.P. JAW'S TEETH HAVE BEEN REMOVED

"S" JUST THE EXACT SCREW DRIVER NEEDED TO INSTALL PARTS 'A' & 'B'. \$2.50 PP

"T" .036" REAMER (HARD STEEL) FOR 'THIN' LEAD PENCILS. \$2.00 + SASE

"U" T-SHAPED AID FOR UNSCREWING PARKER JEWELS. \$3.00 P.P.

"V" IS 15 C.C. OF SHELLAC IN AN AIRTIGHT, EASILY OPENED VIAL WITH A TIP-PROOF REDWOOD BASE. \$4.00 POST PAID. USE SHELLAC WITH EASE!!

"W" SHEAFFER VAC-FIL PLUNGER KNOB (SPANNER) TOOL. SEE OVER. \$3.50 P.P.

"X" HELPS TO REINSERT THE VAC-FIL PLUNGER ROD. \$3.00 POST PAID

"Y" HELPS TO PULL THE "BUSHING" FROM THE SNORKELS "SAC PROTECTOR TUBE". MODELED AFTER A SHEAFFER "AUTHORIZED REPAIR" TOOL OF YESTERYEAR! 50¢ + S.A.S.E.